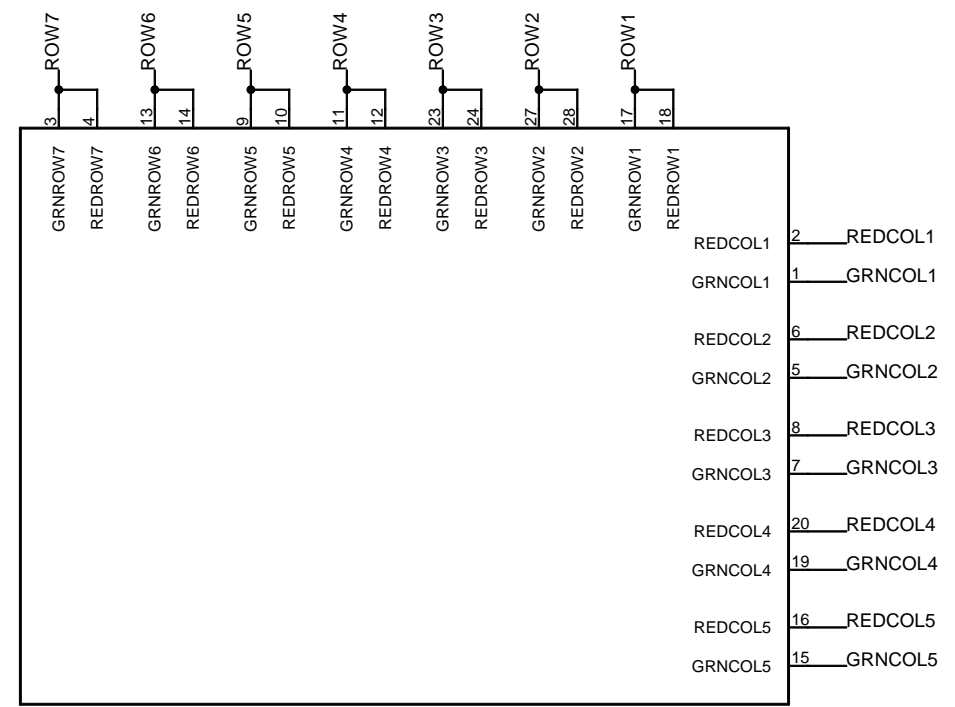
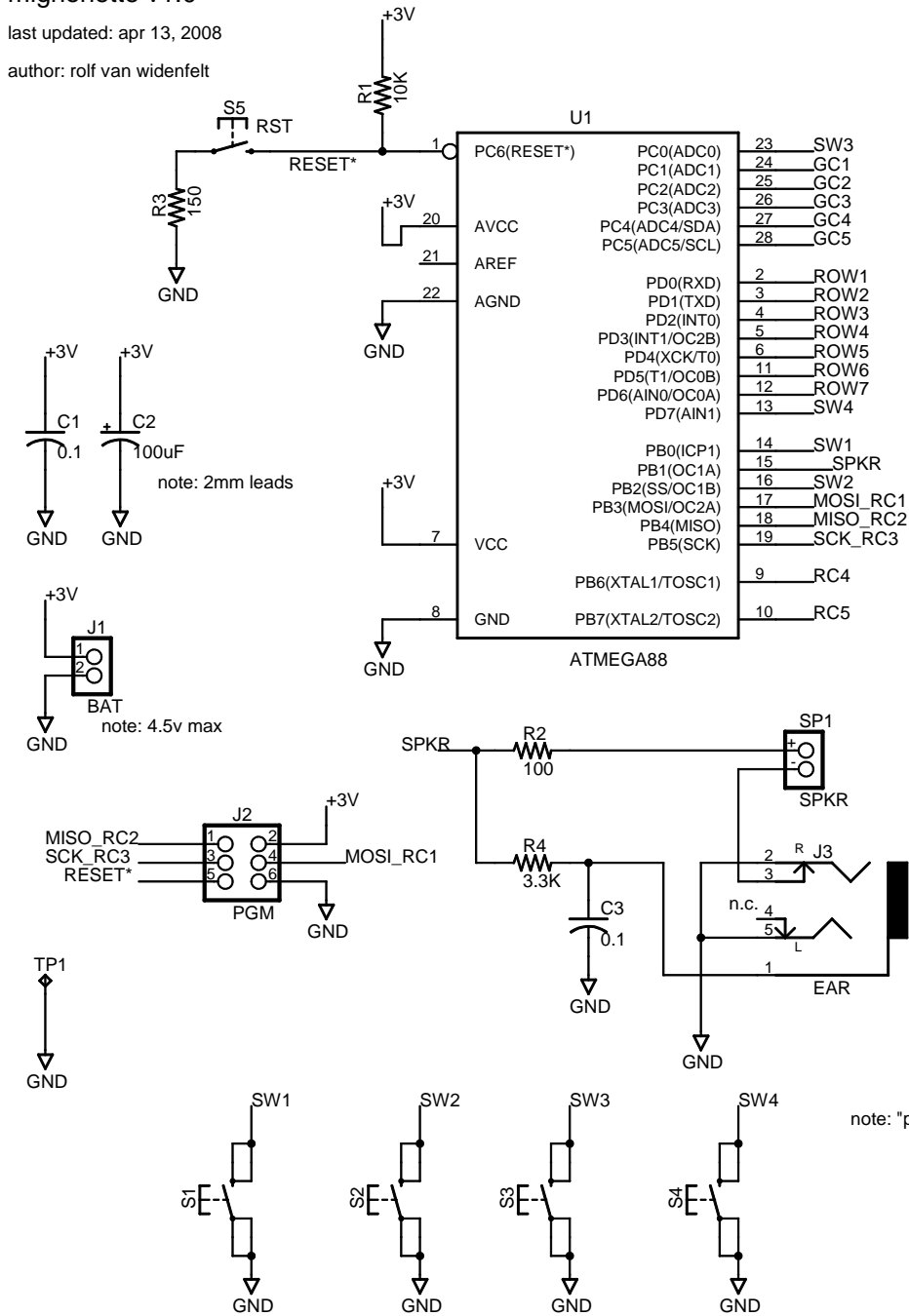


mignonette v1.0

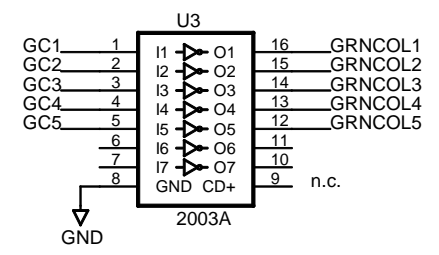
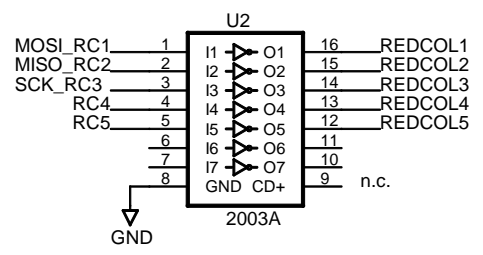
last updated: apr 13, 2008

author: rolf van widenfelt



LED1

note: row anode, column cathode 5x7 matrix



note: "polarity" on earphone jack is reversed

REV 1.0