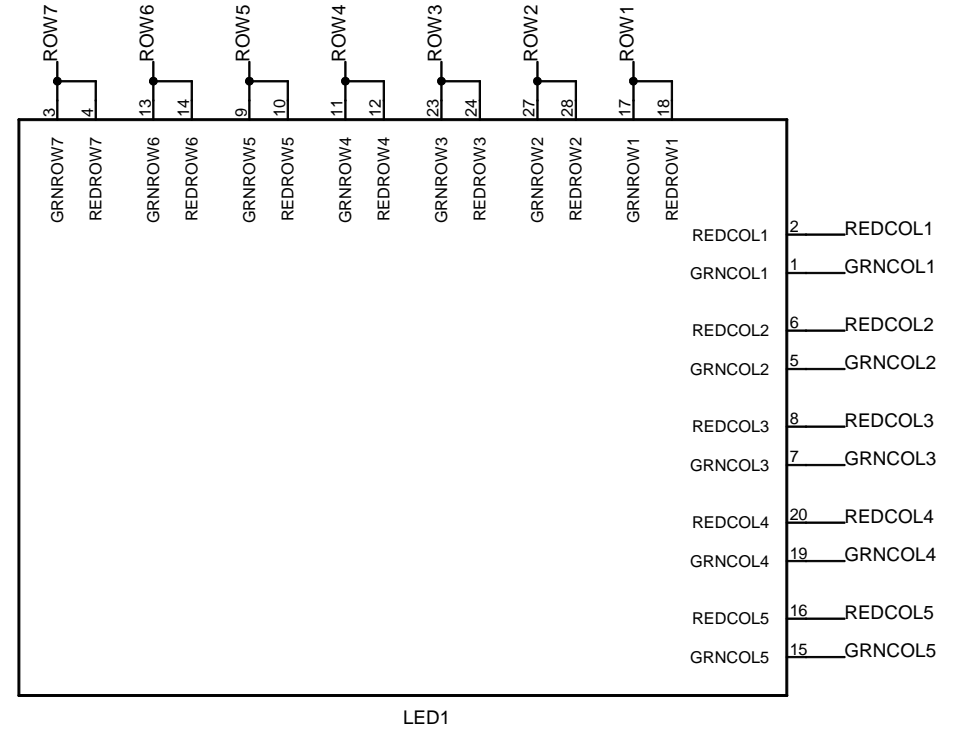
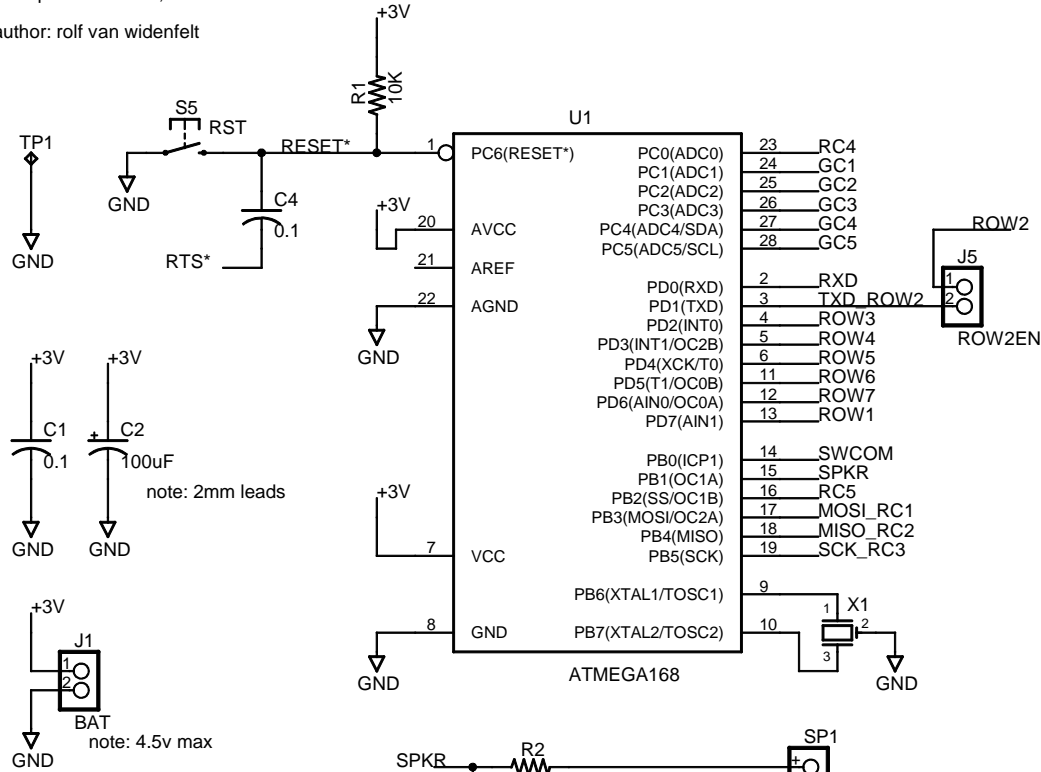


mignonette game v2.0

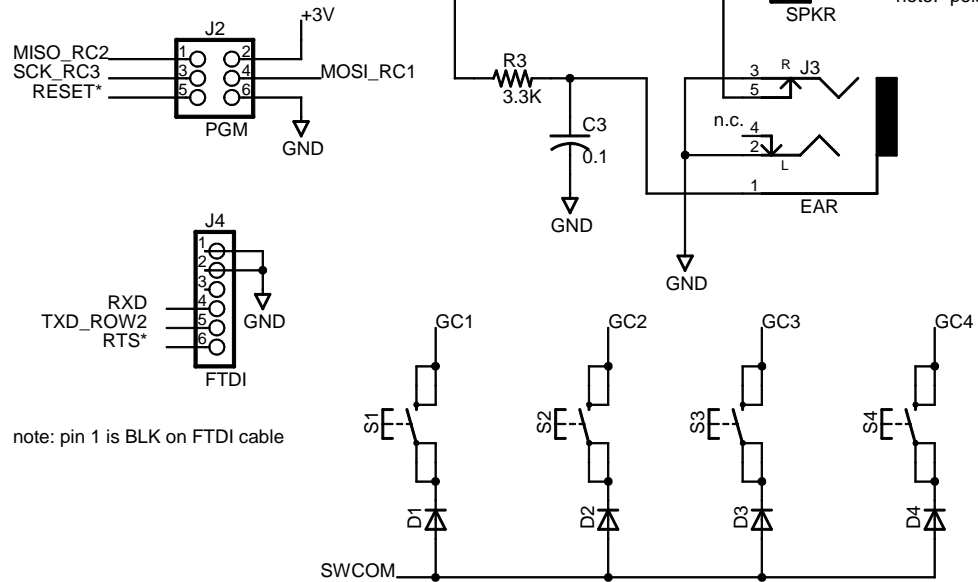
last updated: feb 10, 2010

author: rolf van widenfelt



note: "polarity" on earphone jack is reversed

note: row anode, column cathode 5x7 matrix



note: pin 1 is BLK on FTDI cable

notes:

switches S1-S4 now share lines with GC1-GC4

J5 (ROW2EN) allows ROW2 to be disconnected when debugging

VER 2.0 PROTO